



*Buzdolabı
Kullanma Kılavuzu*

4252 EY

4263 EY

4264 EY

Please read this manual first!

We want your product produced with high quality and technology to offer you the best yield. For this, before using the product, read

all of this manual and other documents carefully and keep as a reference.

If you give the product to someone else, give the user guide as well. Follow the instructions taking into account all information and warnings specified in the instruction manual.

This guide will help you to use the product quickly and safely.

- Carefully read the manual before using installing and operating the product.
- Be sure to observe the instructions regarding security.
- Keep the manual within easy reach since you may need in the future.
- Read other documents supplied with the product as well.

Symbols and their descriptions

The following symbols are included in the User Manual:

	Important information or useful hints.
	Danger to life and property.
	Risk of electric shock.
	Packaging of the product is manufactured from recyclable materials according to our National Environmental Legislation.

Table of contents

1 Safety and environment instructions **3**

- 1.1. General safety 3
- 1.1.1 HC warning 5
- 1.1.2 For models with water fountain 5
- 1.2. Intended use 5
- 1.3. Child safety 6
- 1.4. Compliance with WEEE Directive and Disposing of the Waste Product 6
- 1.5. Compliance with RoHS Directive 6
- 1.6. Package information 6

2 Your Refrigerator **7**

3 Installation **8**

- 3.1. Right place for installation 8
- 3.2. Adjusting the feet 9
- 3.3. Electrical connection 9
- 3.4. Changing door opening direction 9
- 3.5. Reversing the doors 10
- 3.6. Reversing the doors 11

4 Preparation **12**

- 4.1. Actions to be taken to save energy 12
- 4.2. First use 12

5 Use of the Product **13**

- 5.1. Temperature adjustment knob 13
- 5.2. Fast freezing 13
- 5.3. Holiday function 14
- 5.4. Snow defrosting 14
- 5.5. Door Open Warning 15
- 5.7. Egg tray 16
- 5.6. Ice tray 16
- 5.8. Fan 16
- 5.9. Crisper 16

6 Maintenance and cleaning **17**

- 6.1. Prevention of unpleasant odours 17
- 6.2. Protection of plastic surfaces 17

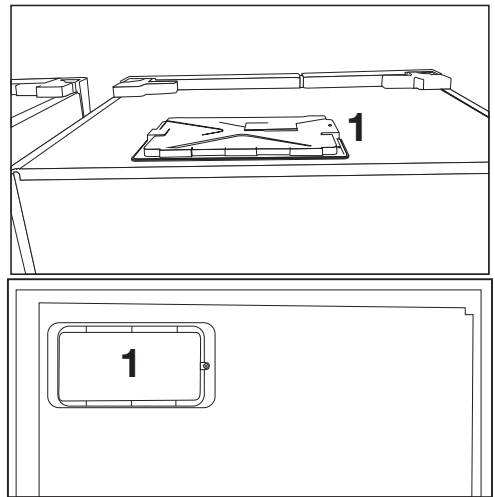
7 Troubleshooting **18**

This section provides the safety instructions necessary to prevent the risk of injury and material damage. Failure to observe these instructions will invalidate all types of product warranty.

1.1. General safety

- This product should not be used by persons with physical, sensory and mental disabilities, without sufficient knowledge and experience or by children. The device can only be used by such persons under supervision and instruction of a person responsible for their safety. Children should not be allowed to play with this device.
- In case of malfunction, unplug the device.
- After unplugging, wait at least 5 minutes before plugging in again.
- Unplug the product when not in use.
- Do not touch the plug with wet hands! Do not pull the cable to plug off, always hold the plug.
- Wipe the power plug's tip with a dry cloth before plugging in.
- Do not plug in the refrigerator if the socket is loose.

- Unplug the product during installation, maintenance, cleaning and repair.
- If the product will not be used for a while, unplug the product and remove any food inside.
- Do not use the product when the compartment with circuit cards located on the upper back part of the product (electrical card box cover) (1) is open.



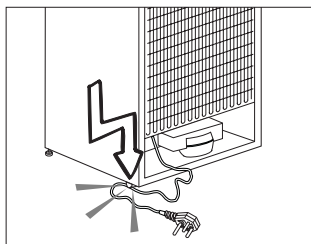
- Do not use steam or steamed cleaning materials for cleaning the refrigerator and melting the ice inside. Steam may contact the electrified areas and cause short circuit or electric shock!
- Do not wash the product by spraying or pouring water on it! Danger of electric shock!

Safety and environmental instructions

- In case of malfunction, do not use the product, as it may cause electric shock. Contact the authorized service before doing anything.
- Plug the product into an earthed socket. Earthing must be done by a qualified electrician.

- If the product has LED type lighting, contact the authorized service for replacing or in case of any problem.
- Do not touch frozen food with wet hands! It may adhere to your hands!
- Do not place liquids in bottles and cans into the freezer compartment. They may burst out!
- Place liquids in upright position after tightly closing the lid.
- Do not spray flammable substances near the product, as it may burn or explode.
- Do not keep flammable materials and products with flammable gas (sprays, etc.) in the refrigerator.

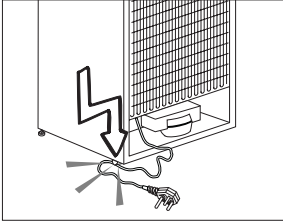
- Do not place containers holding liquids on top of the



product. Splashing water on an electrified part may cause electric shock and risk of fire.

- Exposing the product to rain, snow, sunlight and wind will cause electrical danger. When relocating the product, do not pull by holding the door handle. The handle may come off.
- Take care to avoid trapping any part of your hands or body in any of the moving parts inside the product.
- Do not step or lean on the door, drawers and similar parts of the refrigerator. This will cause the product to fall down and cause damage to the parts.
- Take care not to trap the power cable.

Safety and environmental instructions



1.1.1 HC warning

If the product comprises a cooling system using R600a gas, take care to avoid damaging the cooling system and its pipe while using and moving the product. This gas is flammable. If the cooling system is damaged, keep the product away from sources of fire and ventilate the room immediately.



The label on the inner left side indicates the type of gas used in the product.

1.1.2 For models with water fountain

- In order for the water system inside the refrigerator to operate properly, pressure in the water mains must be between 1-8 bars. A pressure regulator must be used if the pressure in the

water mains is higher than 5 bars. If the pressure in the mains is higher than 8 bars, the refrigerator must not be connected to the mains. If you are not sure about how to measure the water pressure, ask for professional help.

- Use drinking water only.

1.2. Intended use

- This product is designed for home use. It is not intended for commercial use.
- The product should be used to store food and beverages only.
- Do not keep sensitive products requiring controlled temperatures (vaccines, heat sensitive medication, medical supplies, etc.) in the refrigerator.
- The manufacturer assumes no responsibility for any damage due to misuse or mishandling.
- The product's bench life is 10 years. The spare parts necessary for the product to function will be available for this period.

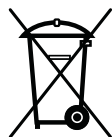
Safety and environmental instructions

1.3. Child safety

- Keep packaging materials out of children's reach.
- Do not allow the children to play with the product.
- If the product's door comprises a lock, keep the key out of children's reach.

1.4. Compliance with WEEE Directive and Disposing of the Waste Product

This product complies with EU WEEE Directive (2012/19/EU). This product bears a classification symbol for waste electrical and electronic equipment (WEEE).



This product has been manufactured with high quality parts and materials which can be reused and are suitable for recycling. Do not dispose of the waste product with normal domestic and other wastes at the

end of its service life. Take it to the collection center for the recycling of electrical and electronic equipment. Please consult your local authorities to learn about these collection centers.

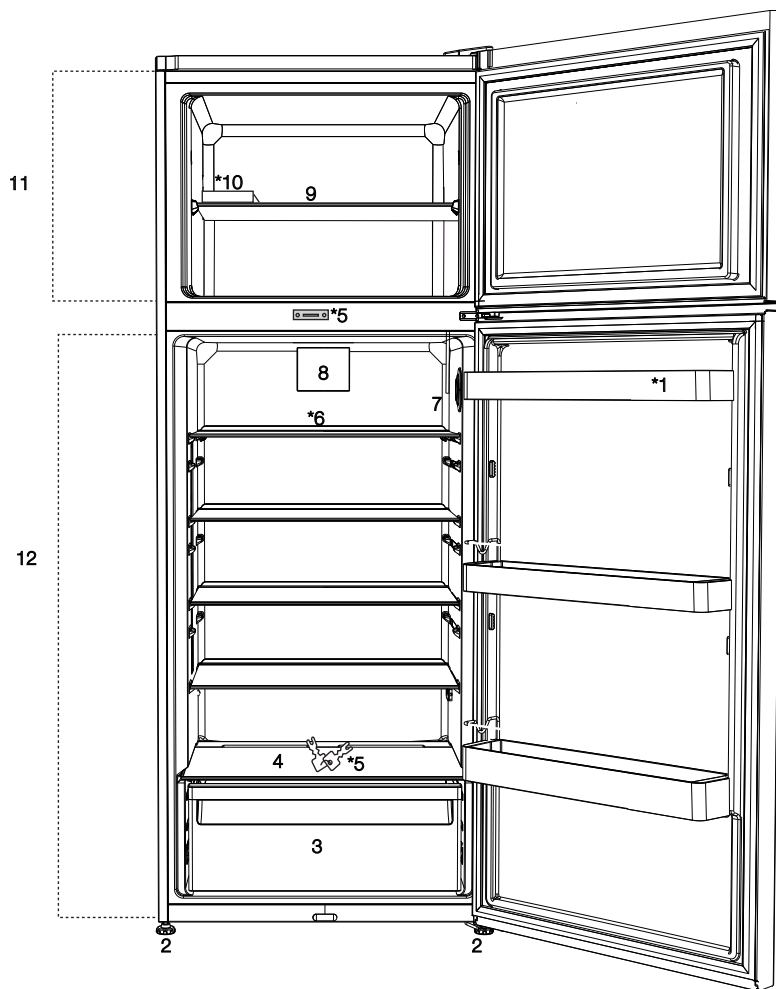
1.5. Compliance with RoHS Directive

- This product complies with EU WEEE Directive (2011/65/EU). It does not contain harmful and prohibited materials specified in the Directive.

1.6. Package information

- Packaging materials of the product are manufactured from recyclable materials in accordance with our National Environment Regulations. Do not dispose of the packaging materials together with the domestic or other wastes. Take them to the packaging material collection points designated by the local authorities.

2 Your Refrigerator



1. Door shelf
2. Adjustable feet
3. Crisper
4. Crisper cover
5. Lock and key *
6. Refrigerator compartment glass shelf
7. Temperature adjustment knob
8. Fan
9. Freezer compartment shelf
10. Ice tray
11. Freezer compartment
12. Fridge compartment



***optional:** Figures that take place in this user manual are samples and may not correspond exactly with your product. If the subject parts are not included in the product you have purchased, then the figure is valid for other models.

3.1. Right place for installation

Call the Authorized Service Provider for installation of the product. To make the product ready for use, be careful that the electrical wiring and plumbing are appropriate by referring to the information in the user manual. If not, call a qualified electrician and plumber and have the necessary arrangements made.



WARNING: The manufacturer is not liable for damages caused by operations by unauthorized persons.



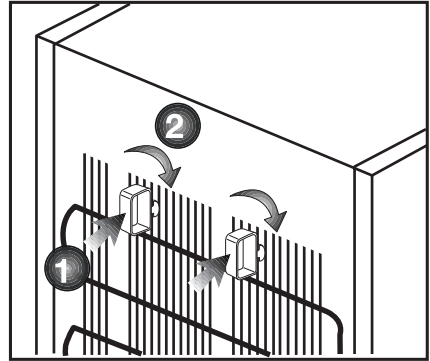
WARNING: During the installation, the power plug of the product should not be plugged in. Otherwise, there is a danger of death or serious injury!



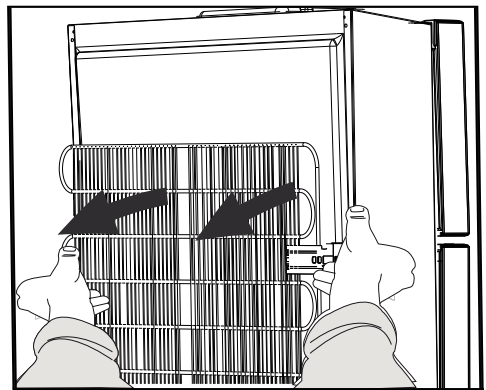
WARNING: : If the doorway of the room to where the product will be placed is so narrow that the product cannot pass through, pass the product by turning it to side; otherwise, call an authorized service.

- To avoid shaking, place the product on a flat surface.
- Install the product at least 30 cm away from heat sources such as cooker, radiators, stove and at least 5 cm away from electrical oven.
- Do not expose the product to direct sunlight and do not store it in humid place.
- A suitable air circulation should be around the product so that it can work efficiently. If the product will be placed in a recessed wall, take care that there is at least 5 cm of space between the ceiling and the side walls.
- Do not install the product where the temperature drops below 10 °C.

- Attach 2 plastic wedges as illustrated below. Plastic wedges are intended to keep the distance which will ensure the air circulation between your refrigerator and the wall. (The picture is drawn up as a representation and it is not identical with your product.)



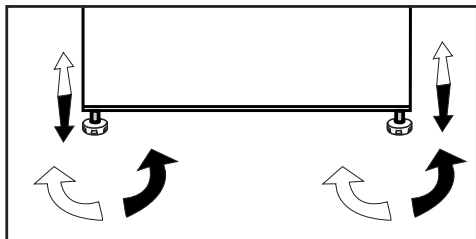
- Condenser of your refrigerator is on the rear side. In order to increase the energy efficiency by minimizing the power consumption, the upper part of the condenser on the rear side of the product must be pulled backwards and locked as shown in the figure. When the condenser is pulled back, the right and left upper holders are locked and the position of the condenser is fixed.



Installation

3.2. Adjusting the feet

If the product is unstable on the place where it is placed, adjust it by turning the front adjustment feet to the right or left.



3.3. Electrical connection



WARNING: Do not make connections to the extension cords or multiple sockets.



WARNING: Damaged power cable must be replaced by an Authorized Service.



If two refrigerators are placed side by side, there should be at least 4 cm space between them.

3.4. Changing door opening direction

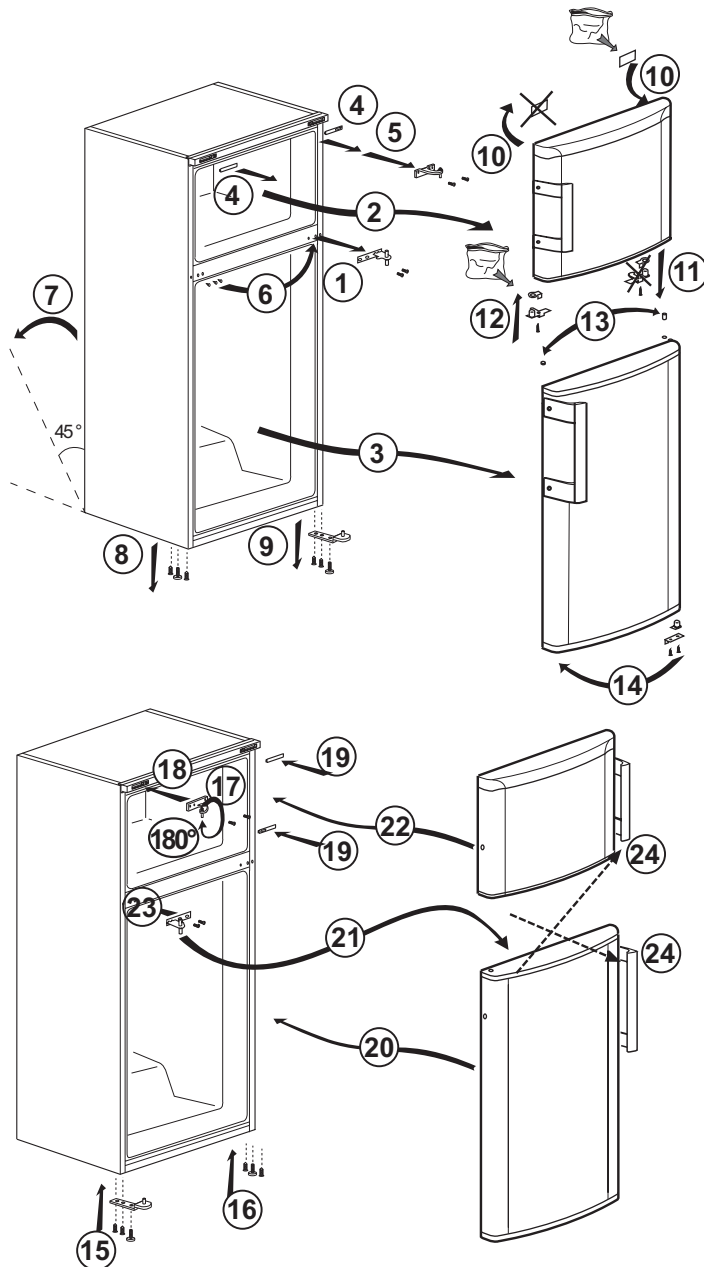
Based on where you use, your refrigerator's door opening direction can be changed. When you need this, please contact your nearest Authorized Service Point.

- Our company will not be liable for any damages that occur when the product is used without grounding and electrical connections that are according to national regulations.
- The power cord plug must be easily accessible after installation.
- Connect your refrigerator to an outlet with a ground line with 220-240V/50 Hz voltage. Plugs should have a 10-16 A fuse.
- Do not use multi-group socket with or without extension cable in between your refrigerator and the wall outlet.

Installation

3.5. Reversing the doors

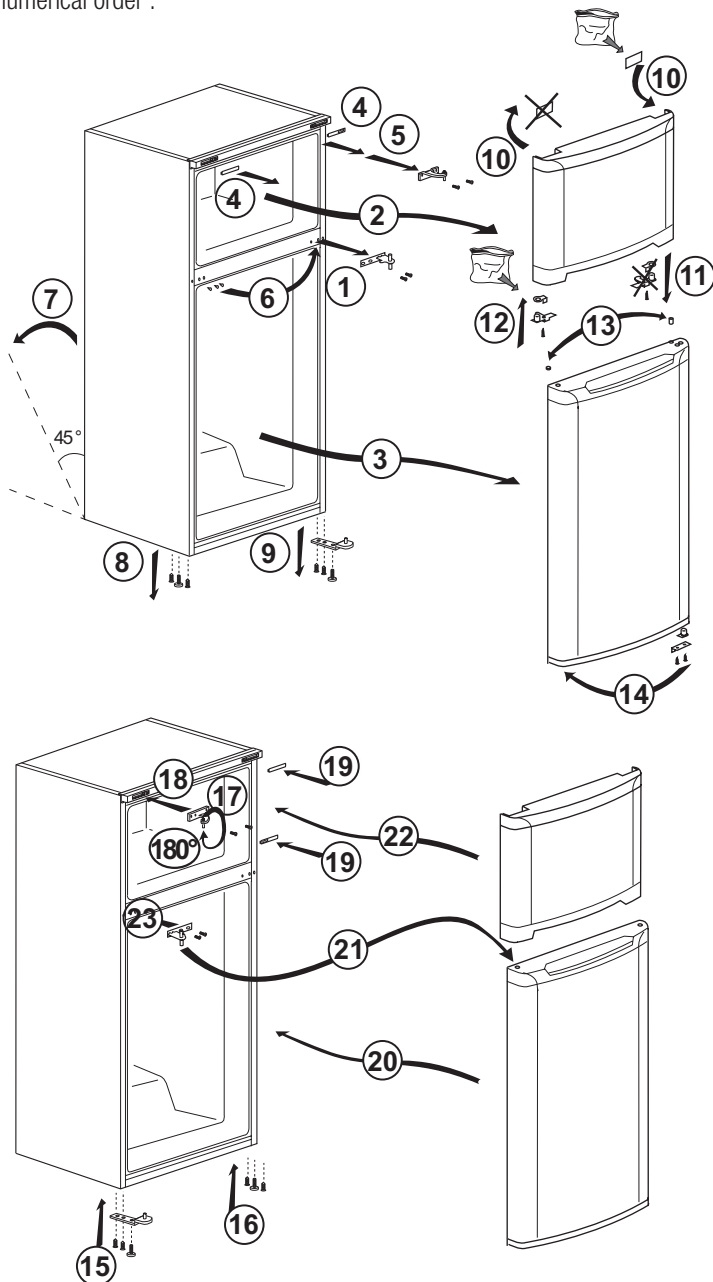
Proceed in numerical order .



Installation

3.6. Reversing the doors

Proceed in numerical order .



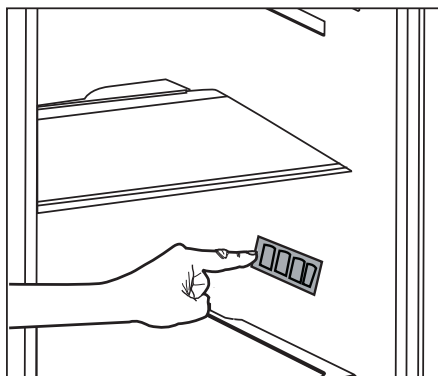
4.1. Actions to be taken to save energy



Connecting the product to electronic energy-saving system is inconvenient as this may damage the product.

- Do not leave the doors of the product open for a long time.
- Do not put hot food or drinks in the product.
- Do not overfill the product. When the inlet air circulation is reduced, its cooling capacity is prevented.
- Put your food in the product in closed containers.
- You can store maximum amount of food items in the freezer compartment of the product when you remove the shelf of the freezer. Energy consumption value stated for the product has been determined by removing freezer shelf and under maximum food load. There is no harm to use a shelf according to the shapes and size of food to be frozen.
- Defrosting the frozen food in fridge compartment will both provide energy saving and preserve the food quality.
- This device is designed to operate at ambient temperatures up to 43°C (90 °F). It is equipped with Advanced Electronic Temperature Control System allowing to keep the frozen food in the freezer defrost even the ambient temperature reduces to -15 °C. When first installed the product **MUST NOT** be placed in low ambient temperatures.
- The baskets/drawers that are provided with the chill compartment must always be in use for low energy consumption and for better storage conditions.
- Food contact with the temperature sensor in the freezer compartment may increase energy consumption of the appliance. Thus any contact with the sensor(s) must be avoided.

- Do not contact the foods to the fridge compartment temperature sensor indicated in the figure below.



4.2. First use

Before you start using your refrigerator, make sure that preparations are made according to the instructions in the “Safety and environmental instructions” and “Installation” sections.

- Run the product empty without putting food for 6 hours and do not open the door unless necessary.



You will hear a sound when the compressor starts. The liquids and gases compressed within the cooling system may produce sound even if the compressor is not running and that sound is normal.



The front edges of the product may be hot. This is normal. These areas are designed to be heated to prevent condensation.

5.1. Temperature adjustment knob

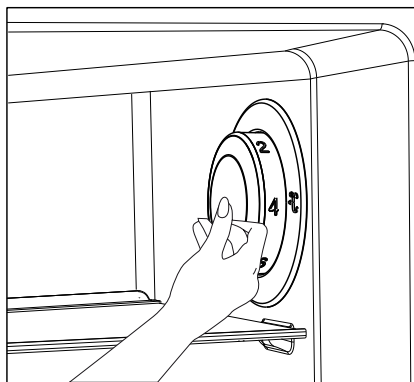
The internal temperature of your refrigerator will vary due to the following reasons:

- Seasonal temperatures,
- Frequently opening the door and the door remaining open for a long time,
- Dishes put hot in your refrigerator before cooling down to room temperature,
- The location of the refrigerator in the room (such as exposure to the sun's heat).
- You can adjust the internal temperature which varies due to these reasons by the adjustment knob.

The numbers around the adjustment knob shows the degree of temperature as "°C".

If the ambient temperature is 25 °C, it is recommended to use the temperature adjustment knob of the refrigerator at 4 °C.

In other ambient temperatures, this value can be increased or decreased according to need.



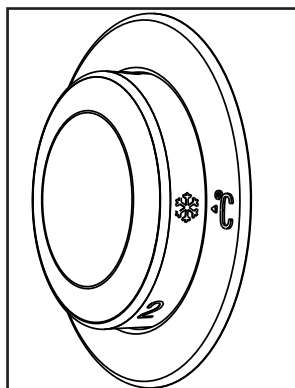
5.2. Fast freezing

If you want to freeze large quantities of fresh food, put the temperature adjustment knob to (❄) position 24 hours before putting the food in the fast freezing compartment.

In order to freeze maximum amount of fresh food specified as the freezing capacity, it is recommended to keep the knob in this position for at least 24 hours.


Pay particular attention to not mixing food sold as frozen and the fresh food.

Once the food is frozen, remember to bring the temperature adjustment knob to its previous position.



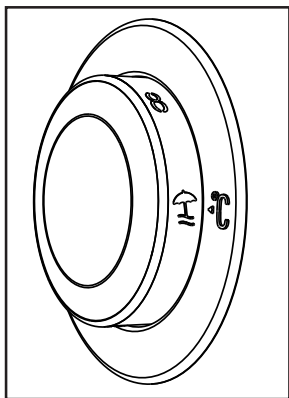
Use of the Product

5.3. Holiday function

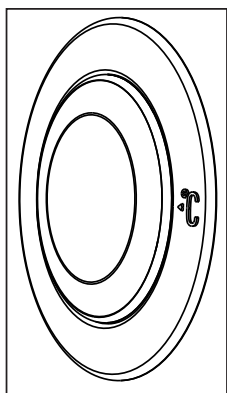
If the doors of the product is not opened for at least 12 hours after the temperature adjustment knob is put to the warmest () position, Holiday function will be activated automatically.

To cancel the function, the adjustment of the knob must be changed.

When the holiday function is active, storing food in the fridge compartment is not recommended.



- After adjustment process is complete, you can hide the temperature adjustment knob by pushing it in.



5.4. Snow defrosting

During the cooling of your refrigerator, water droplets and snow up to 7-8 mm thickness are formed on the inside back wall of the fridge compartment. This formation is normal due to the cooling system.

The snow formed in the fridge compartment is defrosted at regular intervals by means of the automatic defrost system contained in the interior rear wall. Therefore, there is no need of scraping snow and cleaning water droplets by the user.

The water formed by defrosting flows to the evaporating dish on the rear of your refrigerator and spontaneously evaporates here.

The water flows to the evaporating dish via a drain pipe contained in the inner back wall. Check whether the drain pipe is blocked at specific time intervals and if blocked, open.



To avoid deterioration of the frozen food in the freezer compartment, no defrosting is performed automatically. The snow formed in the freezer compartment should be defrosted every 6 months.

For snow defrosting process, it is primarily necessary to stop the operation of your refrigerator. To do this, unplug the power plug. Empty the freezer compartment. Keep your frozen food in a cool place during the snow defrosting process.

The door of the freezer compartment should be kept closed during the defrosting process.

Use of the Product

When the snow formed is completely defrosted, take the water collected in the freezer compartment with an absorbent cloth or sponge and dry.

To run your product re-connect the power plug.



WARNING: To speed up the defrosting in your refrigerator, never use materials such as candles, gas lamps and heaters.



Before putting your food back in the freezer compartment run for 2 hours with the doors closed and empty.

5.5. Door Open Warning (This feature is optional)

An audio warning signal will be given when the door of your product is left open for at least 1 minute. This warning will be muted when the door is closed or any of the display buttons (if any) are pressed.

Door open warning is given to user both visually and acoustically. If the warning continues for 10 minutes, interior lights will be turned off.

Use of the Product

5.6. Ice tray

- Remove the ice tray from the freezer compartment.
- Fill the ice tray with water.
- Place the ice tray in the freezer compartment. The ice is ready after about two hours.
- Remove the ice tray from the freezer compartment and slightly bend it over the ice cap in which you will serve the ice. The ice will be easily poured into the service cap.

5.7. Egg tray

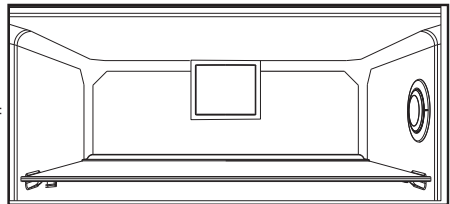
You can put the egg tray on any door or body shelf you want. If to be placed in the body shelf, it is recommended to prefer the bottom cold shelves.



Never put the egg tray in the freezer compartment.

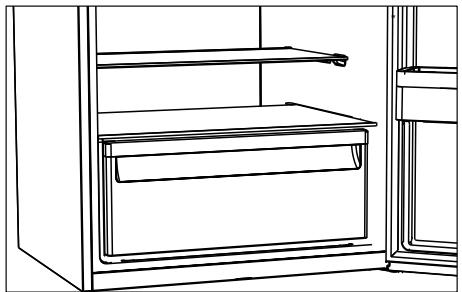
5.8. Fan

Fan is designed to ensure that the cold air in your refrigerator is dissolved and distributed homogeneously. Fan operation time may vary depending on the properties of your product. While in some products fan only works with the compressor, in some products, the control system determines the time when it will work according to the cooling requirements.



5.9. Crisper

Crisper of the product is specially designed to protect the vegetable as fresh without losing its moisture. For this purpose, cold air circulation throughout the crisper is concentrated.



If the product is cleaned regularly its product lifetime is prolonged.



WARNING: Unplug your refrigerator before cleaning.

- Never use any sharp and abrasive instrument, soap, household cleaner, detergent, gas, gasoline and wax polish etc. for cleaning.
- Dissolve a teaspoon of soda in a half liter of water. Soak a cloth with this solution and squeeze. Wipe inside your device with this cloth to and then dry thoroughly.
- Avoid water entry to the lamp housing and other electrical parts.
- Clean the door with a damp cloth. Take all of the contents out to remove the door and body shelves. Lift up and remove the door shelves. After cleaning and drying, replace by sliding upside down.
- Never use water or cleaning agents containing chlorine while cleaning the product exterior and chrome-plated parts. Chlorine causes corrosion on metal surfaces of this type.

6.1. Prevention of unpleasant odours

No substance that will cause odour has been used in the production of your product. However, odour can occur due to improper food storage and not cleaning the inner surface of the product as needed.

To avoid this problem, clean with carbonate-water every 15 days.

- Store the food in closed containers. Microorganisms emanating from food stored in open containers cause bad odours.
- Never store foods that of the storage duration is expired and that is spoiled in your refrigerator.

6.2. Protection of plastic surfaces

In case of spilling oil on the plastic surfaces, it should be cleaned immediately with warm water since it may harm the surface.

Please review this list before calling for service. Doing this will save you time and money.

This list includes complaints not bound to faulty workmanship or material use, which can be frequently experienced. Some of the features in question may not be in your product.

The product does not operate.

- The plug is not properly plugged in. >>> *Insert the plug into the socket properly.*
- The fuse of the socket to which the product is connected or the main fuse has blown out. >>> *Check the fuse.*

Condensation on the side wall of the fridge compartment (MULTIZONE, COOL CONTROL and FLEXI ZONE).

- The door has been opened and closed frequently. >>> *Be careful not to open and close the door of the product very often.*
- Environment is very humid. >>> *Do not install the product in very humid environments.*
- Food containing liquids may be stored in open containers. >>> *Store food containing liquids in closed containers.*
- The door of the product has remained open. >>> *Do not leave the door of the product open for a long time.*
- The thermostat is set to a very cold value. >>> *Set the thermostat to the appropriate value.*

Compressor is not running.

- Protective thermic of the compressor will blow out during sudden power failures or plug-out plug-ins as the refrigerant pressure in the cooling system of the product has not been balanced yet. The product will start running approximately after 6 minutes. Please call a service if the product does not startup at the end of this period.
- It is in defrost cycle. >>> *This is normal for a full-automatically defrosting product. Defrosting cycle occurs periodically.*
- Product is not plugged into the socket. >>> *Make sure that the plug is fit into the socket.*
- Temperature adjustments have not been made correctly. >>> *Select the appropriate temperature adjustment.*
- Power is cut off. >>> *The product will continue to operate normally when the power is restored.*

The operation noise increases when the product is running.

- The operating performance of the product may change depending on the changes in the ambient temperature. This is normal and is not a malfunction.

The product is running frequently or for a long time.

Troubleshooting

- The new product may be larger than the former product. Larger products operate longer.
- Room temperature may be high. >>> *Operating for longer hours in hot environments is normal.*
- The product might have been plugged in recently or might have been just loaded with food. >>> *When the plug has been just inserted or when a new food has been put, it takes longer time for product to reach the set temperature. This is normal.*
- Large amounts of hot food might have been put in the product recently. >>> *Do not put hot food in the product.*
- Doors might have been opened frequently or left ajar for a long time. >>> *The incoming hot air causes longer running of the product. Do not open the doors very frequently.*
- Freezer or fridge door might have been left ajar. >>> *Check whether the doors are completely closed.*
- The product is adjusted to a very low temperature. >>> *Adjust the temperature of the product to a higher degree and wait until this temperature is achieved.*
- Door seal of the fridge or freezer may be soiled, worn out, broken or not properly seated. >>> *Clean or replace the seal. Damaged/broken seal causes the product to run for a longer period of time in order to maintain the current temperature.*

Freezer temperature is very low but the fridge temperature is sufficient.

- The freezer compartment's temperature is adjusted to a very low temperature. >>> *Adjust the freezer compartment's temperature to a warmer degree and check.*

Fridge temperature is very low but the freezer temperature is sufficient.

- The fridge compartment's temperature is adjusted to a very low temperature. >>> *Adjust the fridge compartment's temperature to a higher degree and check.*

Food stored in the fridge compartment drawers are freezing.

- The fridge compartment's temperature is adjusted to a very high value. >>> *Adjust the fridge compartment's temperature to a lower value and check.*

Temperature in the fridge or freezer is very high.

- The fridge compartment's temperature might have been adjusted to a very high temperature. >>> *Fridge adjustment has an effect on the temperature of the freezer. Change the temperature of the fridge or freezer and wait until the temperature of the relevant compartments reach to a sufficient level.*
- Doors might have been opened frequently or left ajar for a long time. >>> *Do not open the doors very frequently.*
- Door might have been left ajar. >>> *Close the door completely.*
- The product might have been plugged in recently or might have been just loaded with food. >>> *This is normal. When the plug has been just inserted or when a new food has been put, it takes longer time than normal for product to reach the set temperature.*
- Large amounts of hot food might have been put in the product recently. >>> *Do not put hot food in the product.*

Vibrations or noise.

- The floor is not flat or strong. >>> *If the product rocks when moved slowly balance the product by adjusting its feet. Also make sure that the floor is strong enough to carry the product.*
- The items placed on the product might be making noise. >>> *Remove the items on the product.*

There are noises coming from the product like liquid spilling or spraying.

- Liquid and gas flows happen in accordance with the operating principles of your product. >>> *This is normal and is not a malfunction.*

Troubleshooting

There is a wind blowing sound coming from the product.

- Fans are used in order to cool the product. This is normal and is not a malfunction.

There is condensation on the inner walls of product.

- Hot and humid weather increases icing and condensation. This is normal and is not a malfunction.
- Doors might have been opened frequently or left ajar for a long time. >>> *Do not open the doors very frequently or close if opened.*
- Door might have been left ajar. >>> *Close the door completely.*

Humidity occurs on the outside of the product or between the doors.

- There might be humidity in the air; this is quite normal in humid weather. >>> *When the humidity is less, condensation will disappear.*

There is bad odour inside the product.

- There has not been a regular cleaning. >>> *Clean the inside of the product with a sponge, lukewarm water or carbonated water.*
- Some containers or package materials might cause the smell. >>> *Use a container or packaging material which does not cause a smell.*
- Foods were placed in the product in unsealed containers. >>> *Store the food in closed containers. Microorganisms emanating from food stored in open containers cause bad odours.*
- Remove the food that of the storage duration has expired and spoiled from the product

The door is not closing.

- Food packages may be preventing the door's closing. >>> *Relocate the packages that are obstructing the door.*
- The product might not be completely upright on the floor. >>> *Balance the product by adjusting its feet.*
- The floor is not flat or strong. >>> *Make sure that the floor is flat and strong enough to carry the product.*

Crispers are stuck.

- The food might be touching the ceiling of the drawer. >>> *Re-arrange the food in the drawer.*



WARNING: If you cannot resolve the problem although followed the instructions in this section, contact the dealer where you purchased the product or an Authorized Service Point. Do not attempt to repair the non-operating product yourself.

